

4 UOPzS 353



Specification	
Nominal Voltage	2,0 V
Nominal Capacity (C ₁₀)	353 AH
Discharge current	C ₁₀ /10h = 35,3 A
Final discharge voltage/cell	1,80 V
Nominal S.G. of electrolyte	1,24 ± 0,01 kg/l at 20°C
Rated temperature	20°C
Capacity C ₁₀₀	458 Ah (at 25°C, U _f = 1,85V/cell)
Specified torque for poll screws	20 ± 1 Nm
Dimensions of the cell	Length 198 mm (7.80 inches)
	Width 101 mm (3.98 inches)
	Height 472 mm (18.58 inches)
Weight of the cell (± 5%)	With acid 23,3 kg
	Without acid 16,0 kg
Recommended dept of discharge	< 80% C ₁₀
deep discharges more than 80% DOD or discharges beyond final discharge voltages (dependend on discharge current) have to be avoided	
Charging	IU - characteristic I max without limitation
	Float charge U = 2,23 V/cell +-1%
	Boost charge U = 2,35 to 2,40 V/cell
	Temp.Correction factor - 0,004 V/Cell, °K
Gas (H ₂) emissions at 20°C	at 2,23 V 1,1 l/cell/day
	at 2,40 V 4,3 l/cell/day
Ventilation requirement	LA alloy; f1 = 0,5; EN 50272-2
Self-discharge	app. 3% per month at 20°C
Operational temperature Recommended	- 20°C to 55°C
	10°C to 30°C

Constant Current Discharge (Amperes) at 20°C (68°F)

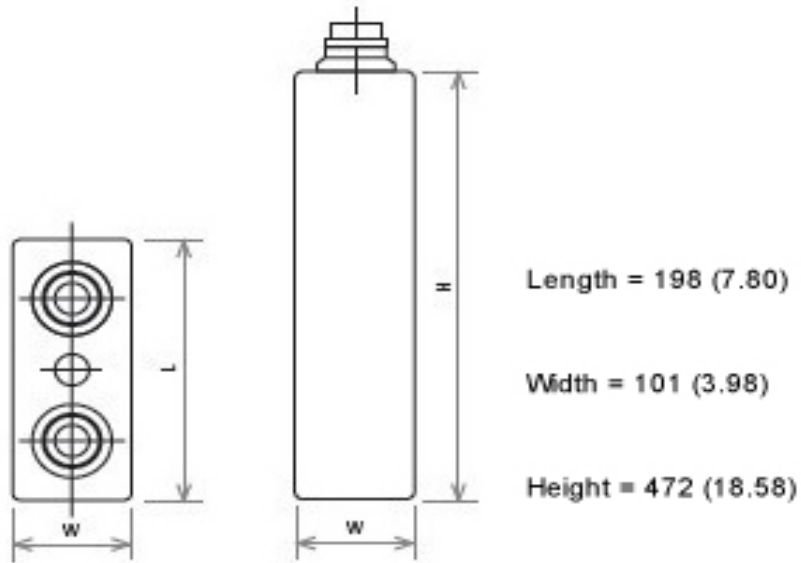
F.V/Time	15min	30min	1h	2h	3h	4h	5h	6h	8h	10h	20h	100h
1.90V/cell	114	110	101	77	62	53	46	41	34	29	18	4.27
1.87V/cell	148	139	118	88	71	60	52	45	37	32	18	4.43
1.83V/cell	188	171	139	100	79	66	57	49	41	34	19	4.58
1.80V/cell	225	193	155	107	84	69	60	51	42	35	19	4.67
1.75V/cell	267	223	176	116	88	72	61	51	43	36	20	4.75
1.70V/cell	305	251	188	121	91	73	63	53	44	36	20	4.81

Constant Power Discharge (Watts) at 20°C (68°F)

F.V/Time	15min	30min	1h	2h	3h	4h	5h	6h	8h	10h	20h	100h
1.90V/cell	217	210	194	148	120	103	89	79	66	58	35	8,49
1.87V/cell	280	263	224	168	136	116	101	87	73	63	36	8,68
1.83V/cell	347	317	258	188	149	125	108	93	78	66	37	8,98
1.80V/cell	409	353	284	199	158	131	113	97	81	68	38	9,16
1.75V/cell	475	402	320	214	164	135	115	97	81	68	38	9,26
1.70V/cell	531	447	339	223	168	137	119	100	84	69	38	9.13

4 UOPzS 353

Dimension



Cell voltage of UOPzS cells during constant current discharge at different rates of discharge

